

24 HOUR/7 DAY TIMESWITCH

SERIES 300/40 AMP DIGITAL TIMESWITCH

DESCRIPTION

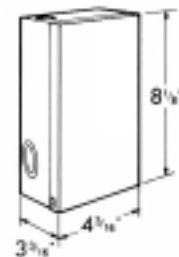
Heavy duty 40 amp digital timeswitch which provides precise timing with the flexibility of daily and/or weekly programming. Simple and fast setting by means of pushing buttons and display prompts. Built-in lithium battery allows 5 year reserve.

APPLICATIONS

Popular applications include: Heater filters, pumps, fans, signs, blowers, indoor and outdoor lighting, feeders, security/alarm systems and process controls.



24 Hour/7 Day Timeswitch



FEATURES AND ADVANTAGES

- Combined 24 hour/7 day timing
- 9 on/off operations daily
- Repeat programs provide up to 63 switching cycles per week
- Minimum time setting: 1 minute
- Lithium battery provides minimum 5 year reserve (unpowered)
- Large easy to read LCD display
- 24 hour display (Military or AM/PM)
- Manual override
- Skip a day

TECHNICAL DATA

Operating voltages:
120 VAC, 50/60 Hz
240 VAC, 50/60 Hz
24 VAC, 50/60 Hz
12 VDC
24 VDC
Rated Power: 3.5 VA
Switching: SPST, SPDT

Connections:
6.3 x 0.8mm tab terminals (complies with DIN 46244)
Switch rating:
16 Amps @ 45° C
10 Amps @ 55° C
Operating temperature range: 14° F (-10° C) to 131° F (55° C)

SETTING OPTIONS

- Time of day
- Single day
- Repeat programs for daily recurring switching times
- 1-2-3-4-5 (Monday through Friday)
- 1-2-3-4-5-6 (Monday through Saturday)
- 1-2-3-4-5-6-7 (Monday through Sunday)

- 6-7 (Saturday through Sunday)
- Skip function () for skipping all the switching programs of the next calendar day
- Reset function for clearing the whole switching program

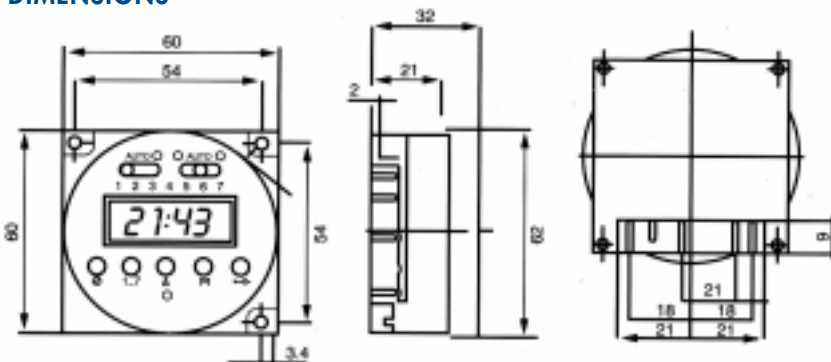
MOUNTING

- Terminal orientation: top, bottom
- Mounting accessories available

APPROVALS

- UL
- CSA Pending
- TVDE (@240 VAC)

DIMENSIONS



LOFA Part# 010-4000-00
Kit Timer Digital 7 Day/24 Hr
Includes NEMA 1 Enclosure w/
Pre-wired 48" Harness Ground Output



PHONE 770 569 9828 FAX 770 569 9829 www.LOFA.net

250 Hembree Park Drive Suite 122 Roswell GA 30076

24 HOUR/7 DAY TIMESWITCH

Series 884 • Digital Timeswitch



General Description

Compact digital timeswitch which provides precise timing with the flexibility of daily and/or weekly programming. Simple and fast setting by means of push buttons and display prompts.

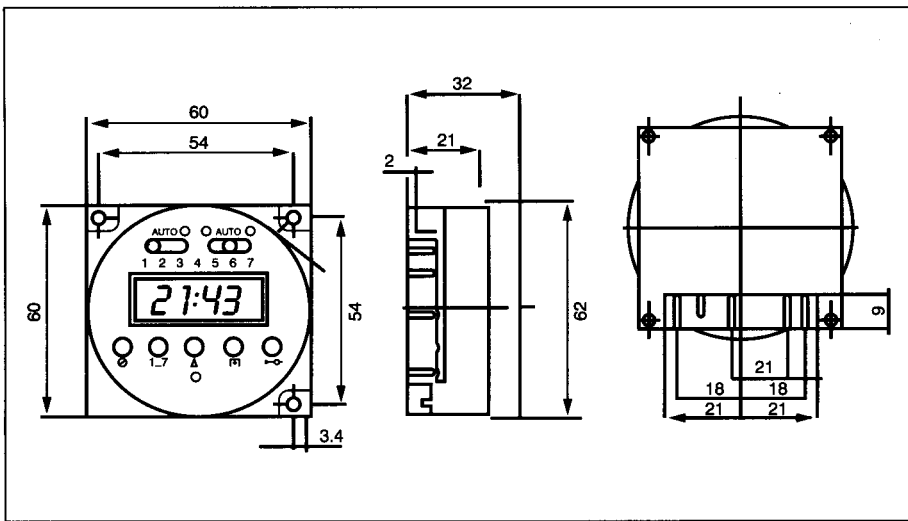
Features

- 24 hour/7 day timing combined 8 on/off operations daily
- Repeat programs provide up to 56 switching cycles per week
- Minimum time setting: 1 minute

- Lithium battery provides minimum 5 year reserve (unpowered)
- 24 hour display (Military or AM/PM)
- Manual Override
- Skip a day

Applications

Popular applications include: Heaters, filters, pumps, fans, signs, blowers, indoor and outdoor lighting, feeders, security/alarm systems, and process controls.



Technical Data

Operating voltages:

- 120 VAC, 50/60 Hz
- 240 VAC, 50/60 Hz
- 24 VAC, 50/60 Hz
- 12 VDC
- 24 VDC

Rated Power:

3.5 VA

Switching:

- SPST
- SPDT

Connections:

6.3 x 0.8 mm tab terminals
(complies with DIN 46244)

Switch rating:

- 16 Amps @ 45°C
- 10 Amps @ 55°C

Operating Temperature Range:

14°F (-10°C) to 131°F (55°C)

Setting Options

- Time of day
- Single day
- Repeat programs for daily recurring switching times
- 1-2-3-4-5 (Monday through Friday)
- 1-2-3-4-5-6 (Monday through Saturday)
- 1-2-3-4-5-6-7 (Monday through Sunday)
- 6-7 (Saturday and Sunday)
- Skip function (→X→) for skipping all the switching programs of the next calendar day
- Reset function for clearing the whole switching program

Mounting

- Terminal orientation: top, bottom
- Mounting accessories available

Approvals

- UL
- CSA Pending
- VDE (@240 VAC)

DIEHL USA
QUALITY TIME CONTROLS

BORG GENERAL CONTROLS LLC.

1386 Jarvis Ave.
Elk Grove Village, IL. 60007
(800) 338-1260
FAX (847) 640-7934

Bulletin 1003 1/97
©1994 Borg General Controls LLC.

Printed in U.S.A.