



# GS Model GS17P

*Standby Power Range: 17.5 - 15.3 kW 60Hz*  
*Prime Power Range: 15.8 - 13.9 kW 60Hz*

## Generator Set Technical Data Sheet

### GS Series Alpha Gas Series

Genset Model	Alternator Brand	Hz	Standby kW		Prime kW	
			3 ph	1 ph	3 ph	1 ph
GS17P-LM	Mecc Alte	60	17.5	16.6	15.8	15
GS17P-LN	Newage	60	17.4	15.3	15.8	13.9
GS17P-LM	Mecc Alte	50	13.8	13.1	12.6	12
GS17P-LN	Newage	50	13.8	11.9	12.5	10.8

**Rating Conditions:** All ratings calculated at sea level, 77°F and 30% humidity with generator set at normal operating temperature.

**Standby Rating:** The power that the generator set will deliver continuously under normal varying load factors for the duration of a power outage.

**Prime Power:** Power that the generator set will deliver when used as a utility type power plant under normal varying load factors to run continuously. This rating requires a minimum momentary overload capability of 10%.



GS Series Open Set Shown

The set illustrated is not necessarily the standard build.

### Standard Features and Options *(\*consult with factory for full list of options)*

#### Standard Features

- ◆ Lister Petter Alpha engine
- ◆ Full flow fuel and oil filters
- ◆ Self-priming fuel system
- ◆ Mechanical governor
- ◆ 12 volt starter and alternator
- ◆ Belt and fan guard
- ◆ Oil drain
- ◆ Fuel control solenoid
- ◆ Dry type air-cleaner
- ◆ Fabricated steel skid base
- ◆ Powder-coated finish
- ◆ Vibration isolator mounts
- ◆ Digital auto-start controls with safety shut-down and fault indication
- ◆ Battery hold down rack and cables
- ◆ 12-wire re-connectable brushless Mecc Alte alternator
- ◆ Operator handbook
- ◆ Fuel lift pump
- ◆ Based mounted radiator cowling

#### Optional Items\*

- ◆ Weather protective enclosure
- ◆ Full sound attenuated enclosure
- ◆ Aluminium enclosures
- ◆ Complete AC/DC instrumentation
- ◆ Variety of fuel tanks including UL142
- ◆ Main-line circuit breaker
- ◆ Critical muffler
- ◆ Auto-battery charger
- ◆ Newage alternator
- ◆ Electronic governor

### Benefits of choosing a Lister Petter Generator Set

The Lister Petter GS series of generator sets are designed and assembled in our own facility. Drawing from several decades of generator set assembly experience our customers receive generators that are fully tested before shipment, built to all codes and standards, and provide stable, clean electrical power with a very steady voltage and frequency output. The Alpha series of engines are extensively used in generator sets, with tens of thousands of installations, for a proven track record in power generation demonstrating high reliability, longer maintenance intervals and a lower cost of ownership. For after-market support our customers can rely on a comprehensive network of product service centers, with single source product support and full parts availability. A wide range of options are available.

## Generator Models GS17P-LM & GS17P-LN Specification

### Power Ratings

Model number	Voltage range	Ph	pf	Hz	Standby Power			Prime Power		
					kW	kVA	Amps	kW	kVA	Amps
GS17P-LM	120/240	1	1.0	60	16.6	16.6	69.2	15	15	62.5
	120/208	3	0.8	60	17.5	21.9	48.6	15.8	19.8	43.9
	120/240	3	0.8	60	17.5	21.9	42.1	15.8	19.8	38.1
	277/480	3	0.8	60	17.5	21.9	21.1	15.8	19.8	19
GS17P-LN	120/240	1	1.0	60	15.3	15.3	63.8	13.9	13.9	57.9
	120/208	3	0.8	60	17.4	21.8	48.4	15.8	19.8	54.9
	120/240	3	0.8	60	17.4	21.8	41.9	15.8	19.8	47.6
	277/480	3	0.8	60	17.4	21.8	21	15.8	19.8	23.8

### Application Air, Exhaust and Cooling Requirements US (Metric) @ 60Hz

Cooling data and requirements	Standby Rating	Prime Power Rating
Total coolant including radiator US gal (liters)	184 (70)	184 (70)
Coolant flow rate US gal/min (Liters/min)	11.6 (44.1)	11.6 (44.1)
Heat rejection to coolant Btu/min (kW)	1049 (18.4)	954 (14.5)
Heat rejection to surroundings Btu/min (kW)	192 (2.9)	175 (2.6)
Application Air-Flow Requirements		
Maximum air-restriction inH <sup>2</sup> O (mmH <sup>2</sup> O)	10 (254)	10 (254)
Radiator cooling-air cfm (m <sup>3</sup> /min)	2119 (60)	2119 (60)
Combustion-air cfm (m <sup>3</sup> /min)	48.6 (1.38)	35.8 (1.01)
MeccAlte alternator cooling-air cfm (m <sup>3</sup> /min)	205 (5.8)	205 (5.8)
Newage alternator cooling-air cfm (m <sup>3</sup> /min)	252 (7.14)	252 (7.14)
Exhaust Gas Data		
Exhaust gas flow cfm (m <sup>3</sup> /min)	113.5 (3.21)	104.6 (2.9)
Maximum back pressure inH <sup>2</sup> O (mmH <sup>2</sup> O)	15 (381)	15 (381)
Exhaust temperature °F (°C)	1100 (593)	1000 (540)

### Fuel, Lube Oil and Ratings Data @ 60Hz

<b>Recommended oil change @ ambient temp.</b>	Upto 95 °F (35 °)	Above 95 °F (35 °)
Hours interval between oil changes	250	250
Fuel consumption cf/Hr (m <sup>3</sup> Hr)	Standby Rating	Prime Power Rating
100%	86.7 (2.5)	78.8 (2.3)
75%	75 (2.1)	68.2 (1.9)
50%	57.6 (1.6)	52.4 (1.4)
De-rating factors	Altitude	Temperature
Ratings are calculated at normal temperatures and pressures, with an ambient less than 77°F and altitude less than 325ft above sea level	3.5% for each 1000' above 500'	2% for each 10°F above 77°F
Humidity derate up to a maximum of 10% depending on the ambient temperature		

### \* Noise Data dB(A) @ 7 meters (8 position average)

Configuration of set	Open	Enclosed	Sound attenuated
Noise rating: dB(A)	72.7	70.6	65.5

\* With critical muffler option

## Engine and Alternator Specifications

### Engine

Basic Engine Data		Valve Train	
Manufacturer	Lister Petter	Lifter type	Hydraulic
Alpha model naturally-aspirated	LPWG4	<b>Emissions</b>	
Cylinders	4	EPA Certified	No
Displacement Cu.in (Liters)	113.5 (1.8)	<b>Engine Governor</b>	
Bore inches (mm)	3.38 (86)	Standard electronic system	Hz no load to full load 0.5%
Stroke inches (mm)	3.15 (80)	Steady regulation electronic	+/- .025%
Compressions ratio	9.5:1	<b>Cooling System</b>	
Number of main bearings	5	Type of system	Pressurized
Connection rods	4	Water pump	Sealed
Piston material	Aluminium alloy	Type of fan	5 Blade pusher
Cylinder head material	Cast iron	<b>Fuel System</b>	
Oil capacity gals (liters)	1.45 (5.49)	Fuel	Propane vapor withdrawal
<b>Engine Electrical System</b>		Nominal	2558 BTU/FT <sup>3</sup>
Glow plugs	No	Specific gravity	1.552
Battery charge alternator	55 amp	Fuel inlet pressure	6" - 14" Water
Starter motor	12V	Combustion	Spark ignition
Recommended lead acid battery	Group 34 850 CCA	Firing order	1-3-4-2
Ground polarity	Negative		

### Alternator

Basic Alternator Data		Coupling arrangement	
Type	4 - pole	Load capacity (standby)	110%
Rotor insulation	Class "H"	Load capacity (prime)	100%
Stator insulation	Class "H"	<b>Excitation System</b>	
Total harmonic factor	Less than 2%	Brushless	AVR
Telephone influence factor (TIF)	Less than 50	Volts change 100% load step	Under 3% (1/4 sec)
Alternator cooling	Self ventilating	Voltage regulation	2% all loads to 100%
Bearings	Single	Temperature rise	125°C

### Alternator Features

◆ The alternators are dipped in varnish and have epoxy-coated windings.

◆ The alternators are designed to meet the temperature rise standards of class "H" insulation. The windings have a 2/3 pitch in order to reduce the harmonic content of voltage.

◆ MeccAlte motor starting is 3 times running KVA and Newage regulated is 2 times running KVA.

◆ Four pole, revolving field alternator, close-coupled to the engine by means of generator flange bolting directly to flywheel housing. Drive is by flexible disc.

◆ All Lister Petter gensets are fully factory tested, a test sheet is available for each set. A performance test is made by increasing load steps up to 110% of continuous rating.

◆ The alternator complies with VDE0530, BS4999 or 5000 and is CSA approved. The alternator is self ventilated drip-proof construction. The standard of enclosure protection is IP21 or IP23.

Note: The information in this data sheet is of a general nature and does not form part of any contract and/or warranty. We have made efforts to ensure that the information is accurate but reserve the right to amend the specification and information without notice or any obligation or liability. The set illustrated is not necessarily the standard build.

## GS17P Control Panel Options



### 'DA' Standard Auto Start Panel

**Standard 'DA' Control Panel:** This control comes complete as a manual or auto start control with hour meter in a vibration isolated cabinet. When in "Auto" position a simple switch closure of any kind will signal the set to start. Controls provide safety shutdown protection, with LED indication for low oil pressure, high temperature, over/under speed and over crank fault after three attempts to start. Low battery voltage will have a warning. It comes standard with two configurable input/outputs.



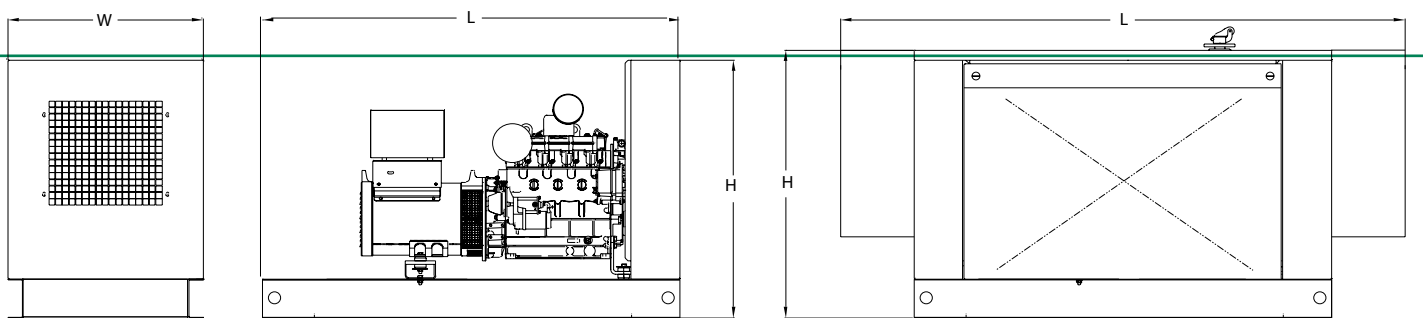
### 'DB' Auto Start Panel with LCD

**Standard 'DB' Control Panel:** This control comes complete as a manual or auto start control in a vibration isolated cabinet. When in "Auto" position a simple switch closure of any kind will signal the set to start. The controls provide safety shutdown protection for low oil pressure, high temperature, over/under speed and a over crank fault after three failed attempts to start. Using a push button you can easily scroll through the LCD showing the generator sets A/C voltage, amperage and hertz. The engine will be monitored for oil pressure, temperature, D/C battery volts, and engine hours run. It comes standard with five fully configurable inputs and three configurable outputs for either warnings or shutdowns.

*(Consult Lister Petter for additional control options including remote monitoring and communications)*

## Alpha GS Series Dimensions and Weights

Dimension	Unpacked dimensions						Shipping dimensions						Weights (with packing options)						
	Open		Enclosed		Attenuated		Open		Enclosed		Attenuated		Packing lbs (kg)	Open		Enclosed		Attenuated	
	ins	cm	ins	cm	ins	cm	ins	cm	ins	cm	ins	cm	None	920	(417)	1050	(476)	1130	(513)
"H" height	40.5	102.9	41.92	106.5	41.9	106.5	49	124.5	63	160	76	193	Pallet only	990	(450)	1125	(510)	1205	(547)
"W" width	28	71.3	28	71.3	28	71.3	31	78.7	31	78.7	31	78.9	Open crate	1065	(483)	1200	(544)	1280	(581)
"L" length	58.3	148	58.3	149	78.0	198	61	154.9	61	154.9	80	203	Closed crate	1100	(498)	1235	(560)	1315	(596)



### QUEBEC AND ATLANTIC PROVINCES EXCLUSIVE AUTHORIZED DISTRIBUTOR

**Marindustriel (Div. Nadco)**  
 8550 Delmeade Road  
 Montréal (QC) H4T 1L7  
 Tél. : 514.342.2748  
 800.363.2259  
 Fax : 514.342.6151  
 info-quebec@marind.ca  
 www.marind.ca

**Marindustriel Inc.**  
 80 Harrisville Blvd Unit "A"  
 Moncton (NB) E1H 3N4  
 Phone : 506.852.3332  
 800.463.3332  
 Fax : 506.857.8484  
 info-atlantic@marind.ca  
 www.marind.ca

