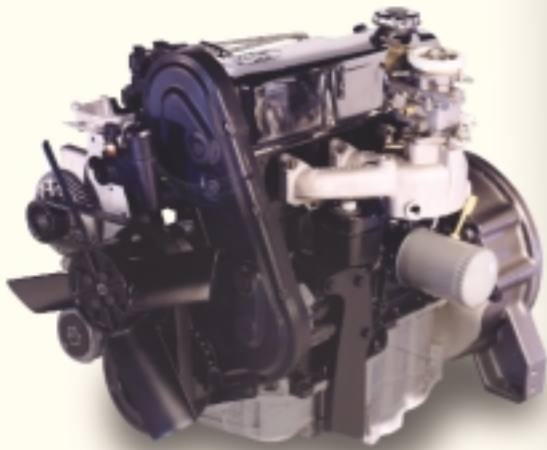


# LRG-425

Base Industrial  
Engine Carbureted  
2.5-Litre  
4-Cylinder



Powerful  
Performance  
from one  
source.



# LRG-425

## Base Industrial Engine Carbureted

### 2.5-Litre 4-Cylinder



#### Options

##### Dry-Type Industrial Air Cleaners

##### Flywheels

- 8.0" (203.2 mm) Over-Center Clutch
- 8.5" (215.9 mm) Spring-Loaded Clutch
- 9.0" (228.6 mm) Spring-Loaded Clutch

##### Flywheel Housings

- SAE #4 and #5
- Automotive-Style Clutch Housing

##### Power Take-Off (PTO)

- 9.0" (228.6 mm) Spring-Loaded Clutch

##### Exhaust Manifolds

- Center Dump Side
- Rear Dump Down

##### Power Steering Pump

##### 95 Amp Generator

##### Engine Cooling Fans

- 16.5" (419.1 mm) Diameter Suction
- 16.0" (406.4 mm) Diameter Pusher

##### Engine Supports (Rubber Isolated Mounts)

##### Electronic Control Modules (Refer to FPP 192-583)

- Ignition Control Module (ICM)

##### Wiring Harnesses

- ICM Application

##### Governors

- Velocity Governor
- Mechanical, Variable Speed or Constant Speed

LRG-425 EFI Engine Also Available (Refer to FPP 192-530)

#### Transmissions

Accompanying transmissions are available for the LRG-425 through Ford Power Products.

#### Emissions Information

EPA and ARB emission-certified packages available. Contact FPP or local distributor for specific details.

#### Warranty

Contact FPP or local distributor for warranty terms.

#### Specifications

Engine Type.....	I-4
Bore and Stroke.....	3.78 in x 3.40 in (96.0 mm x 86.3 mm)
Displacement.....	2.5 Litre (153 CID)
Compression Ratio .....	9.37:1
Oil Capacity .....	4.5 Qts, including filter (4.26 litres)
Net Weight.....	339 Lbs with accessories (154 Kgs)
Dimensions .....	L 26.5" x W 21.4" x H 26.9" (672.5 mm x 542.4 mm x 682.8 mm)

#### Gasoline (corrected per SAE J1995)

Fuel Specification.....	87 A.K.I.
Rated Power @ 3600 RPM .....	Intermittent: 74 HP (55 kW) Continuous: 63 HP (47 kW)
Peak Torque @ 1800 RPM.....	Intermittent: 123 Ft. Lbs. (167 Nm) Continuous: 104 Ft. Lbs. (141 Nm)
Power @ 1800 RPM.....	Intermittent: 42 HP (31 kW) Continuous: 36 HP (27 kW)

#### Natural Gas (corrected per SAE J1995)

Fuel Specification.....	1050 BTU/FT3
Rated Power @ 3600 RPM.....	Intermittent: 74 HP (55 kW) Continuous: 63 HP (47 kW)
Peak Torque @ 2600 RPM.....	Intermittent: 115 Ft. Lbs. (156 Nm) Continuous: 98 Ft. Lbs. (133 Nm)
Power @ 1800 RPM .....	Intermittent: 39 HP (29 kW) Continuous: 33 HP (25 kW)

#### Liquefied Petroleum Gas (corrected per SAE J1995)

Fuel Specification.....	HD-5
Rated Power @ 3600 RPM.....	Intermittent: 84 HP (62 kW) Continuous: 72 HP (54 kW)
Peak Torque @ 1800 RPM.....	Intermittent: 133 Ft. Lbs. (180 Nm) Continuous: 113 Ft. Lbs. (153 Nm)
Power @ 1800 RPM.....	Intermittent: 45 HP (34 kW) Continuous: 38 HP (28 kW)

#### Standard Features/Benefits

**Carbureted Downdraft Fuel System** for optimized fuel distribution

**Cast Iron Cross Flow-Type Cylinder Heads** offering excellent breathing characteristics, increased performance and fuel economy for multi-fuel operation

**Cast Iron Cylinder Block with Full-Length Water Jackets** resulting in long engine life

**Nodular Cast Iron Crankshaft** is extremely rigid for increased durability

**Overhead Camshaft with Roller Cam Followers** for reduced friction and improved fuel efficiency

**Pressurized Lubricated Bearings and Tappets** with oil mist and splash to cylinder walls and piston rings for maximum internal component lubrication

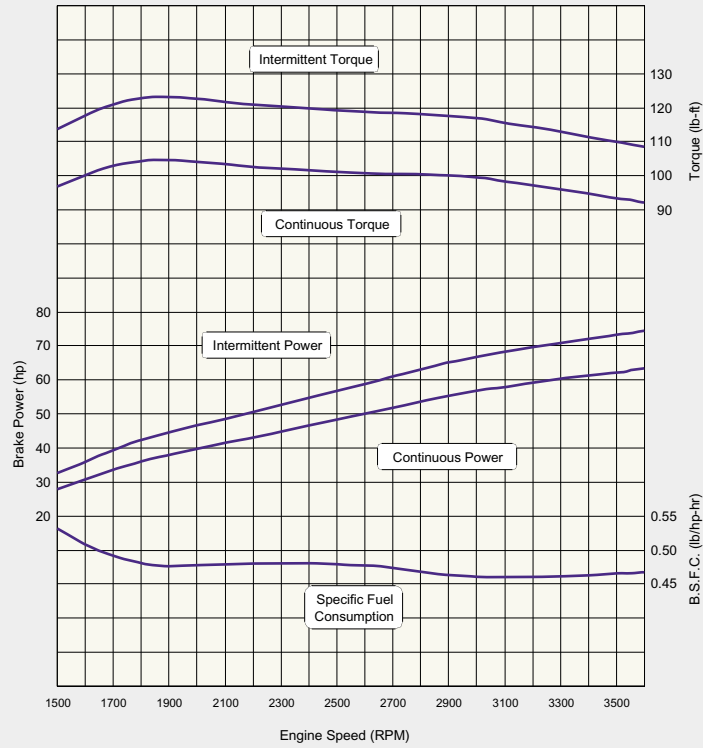
**Pressure-Type Bypass Circulation Cooling System** for maximum cooling control

**Water Pump Delivery of 24.4 gal./min. (92.3 litre) at Pump RPM of 2800** ensures a generous protective engine cooling range

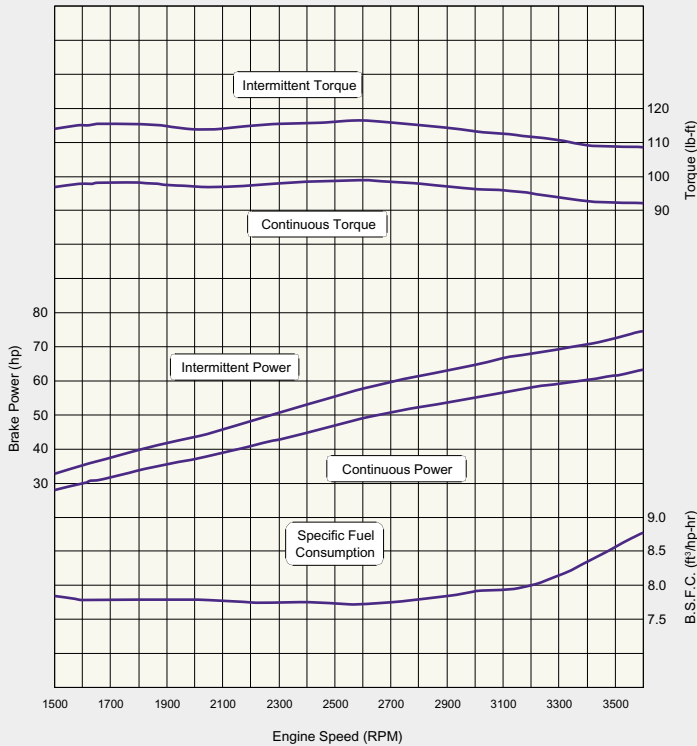


# Power Curves (corrected per SAE J1995)

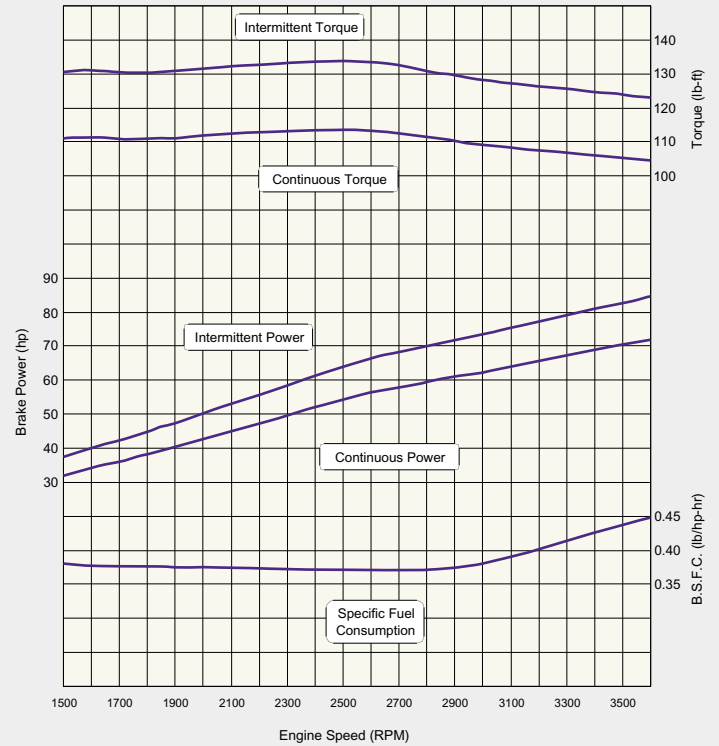
## Gas



## Natural Gas

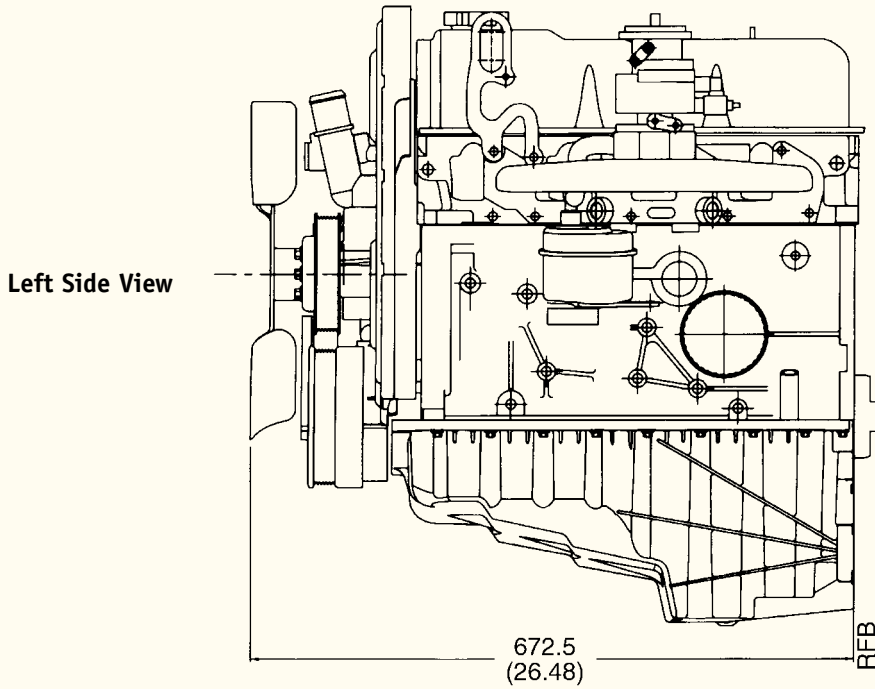
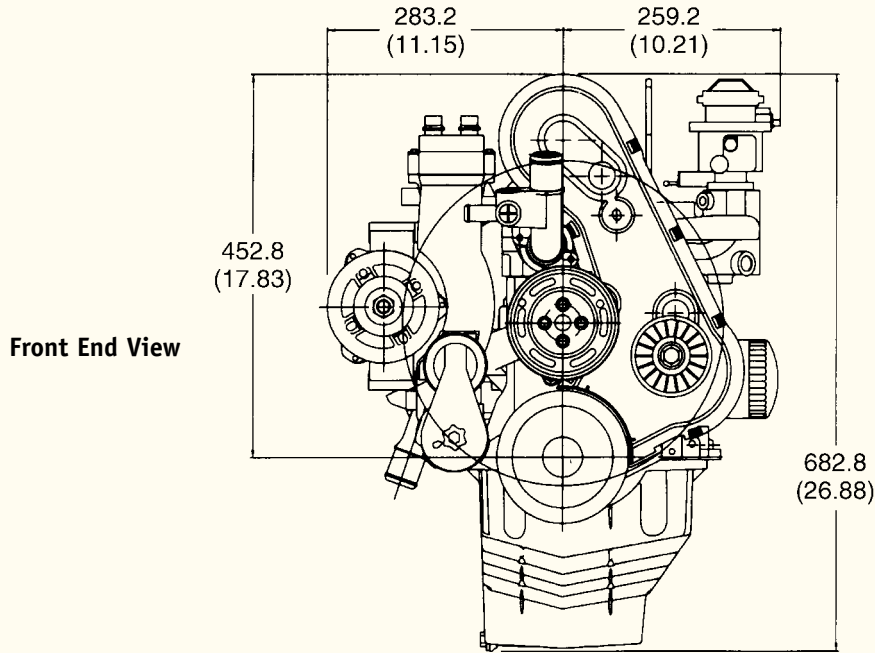


## Liquefied Petroleum Gas



Above power curves utilized the FPP ICM.

# Installation Drawings



Measurements	mm (in)
--------------	------------

