



7k-0266

AW1122 Piston Pump Data

26 BHP Continuous Duty (31 BHP Intermittent Duty)



Specifications	
Pump Model	AW1122
Configuration	Horizontal Triplex Piston
Number of Pistons	3
Stroke Length	2.75 Inches (69.9 mm)
Frame Load Rating	5940 lbs. (2,697 kg)
Pump Weight	460 lbs. (209 kg)
Direction of Rotation	Top of Shaft away from head
Internal Gear Rotation	3.6:1
Ball Valve Max Speed Rating	635 RPM (Jackshaft)
Minimum Speed	360 RPM
Mechanical Efficiency	85%
Lubrication System	Splash, Gravity Return
Lube Oil Capacity	1 Gallon
Lube Oil Type	SAE 30
Maximum Fluid Temperature	140°F (250° Capability)
Minimum Fluid Temperature	0°F (-20° Capability)
Standard Suction Size	2.00 Inch NPT (50.8 mm)
Standard Discharge Size	1.25 Inch NPT (38.1 mm)
Fluid End Material	Ductile Iron
Valve Type	Disc Valves/Ball Valves
Hydraulic Motor Mount	SAE C - 4 Bolt with 1.25"-14T

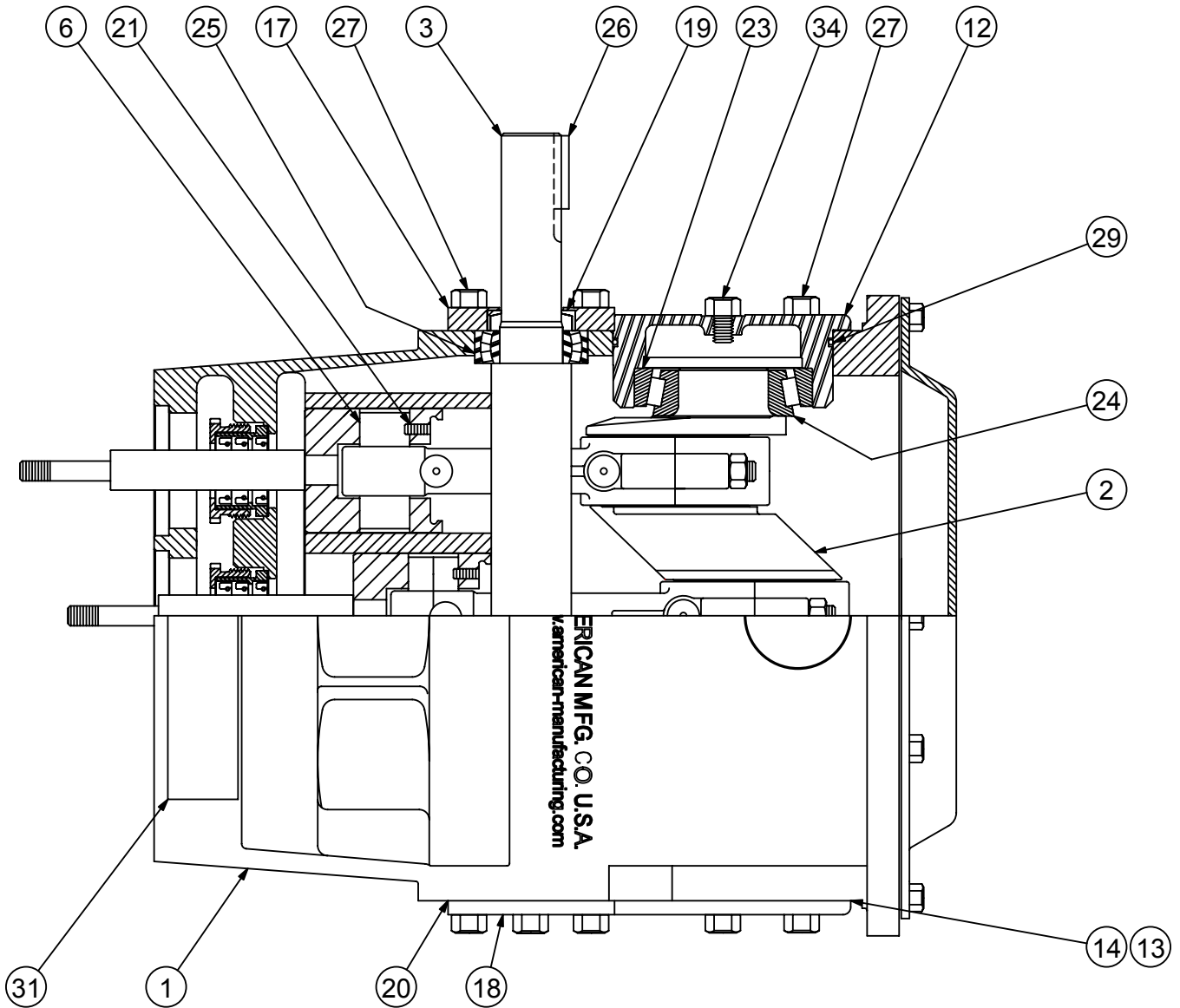
AW1122 Performance Rating

Piston		Displacement/REV		Maximum Pressure		Pump Capacity @ Input Speed (RPM)									
						350 RPM		500 RPM		635 RPM		750 RPM		900 RPM	
Inch	mm	Gallon	Liter	PSI	kg/cm ²	gpm	lpm	gpm	lpm	gpm	lpm	gpm	lpm	gpm	lpm
2.75	69.9	0.0589	0.223	1,000	70.3	20.6	78	29.5	112	37.4	142	44.2	167	53	201

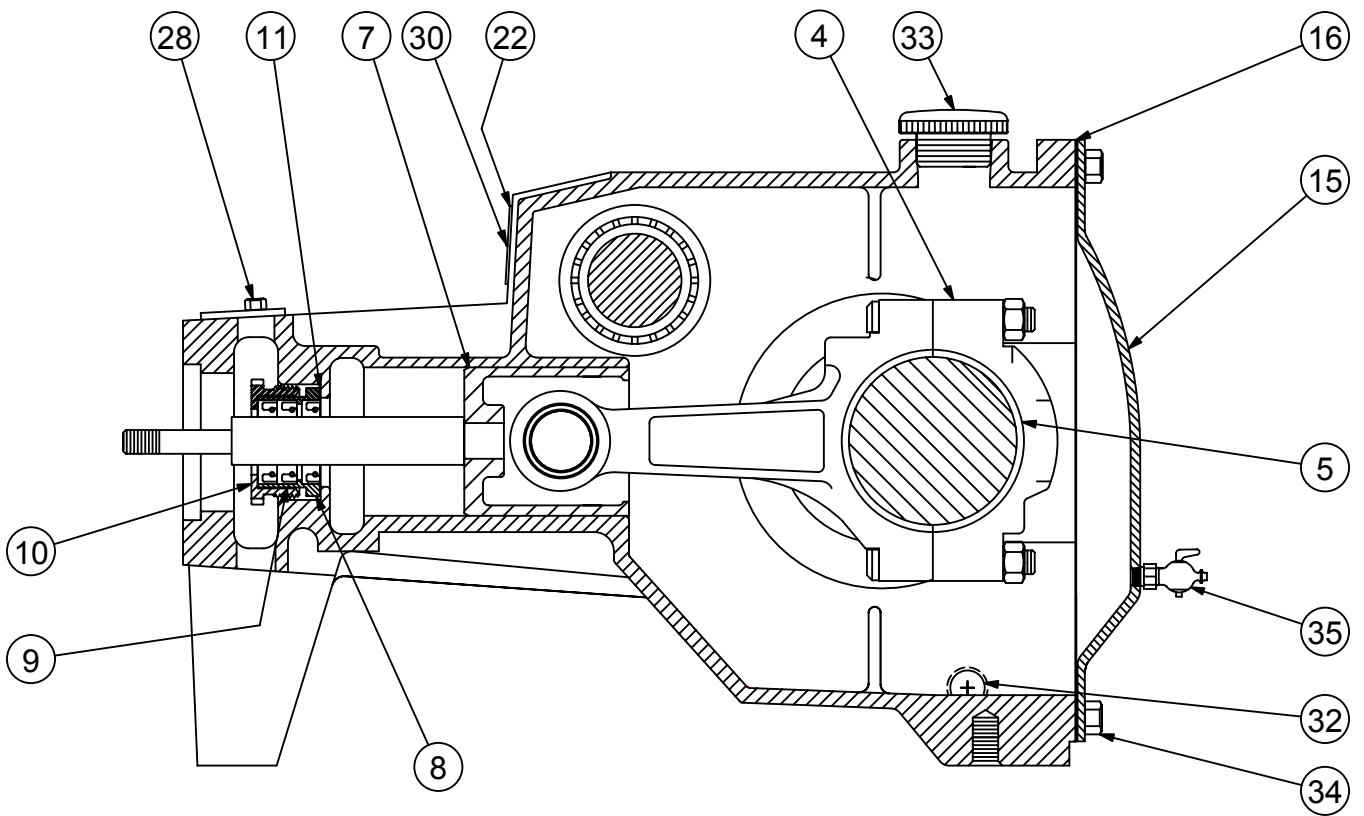
Specifications subject to change without notice.



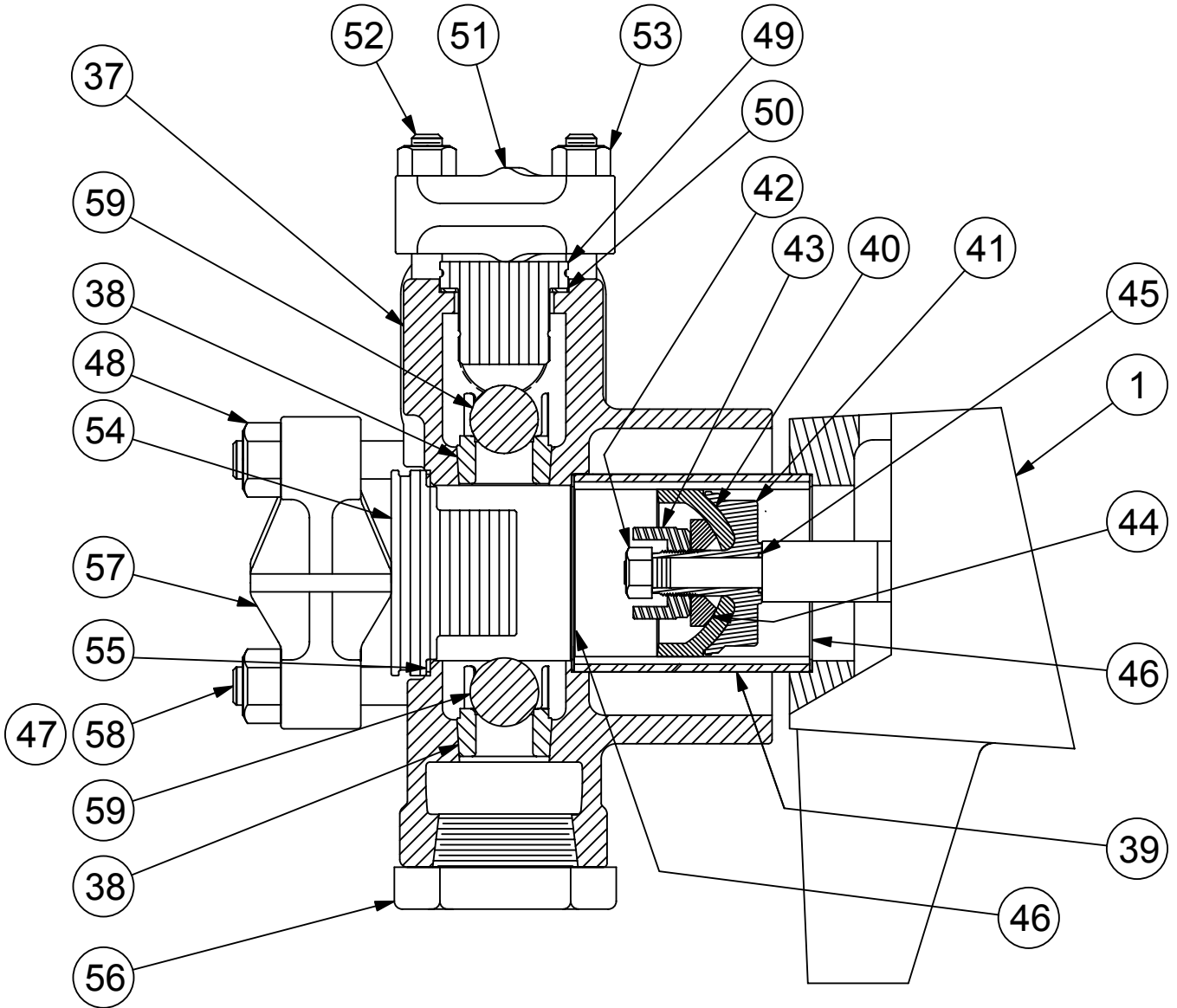
8.0 Component Parts List



Power End Components



Power End Components

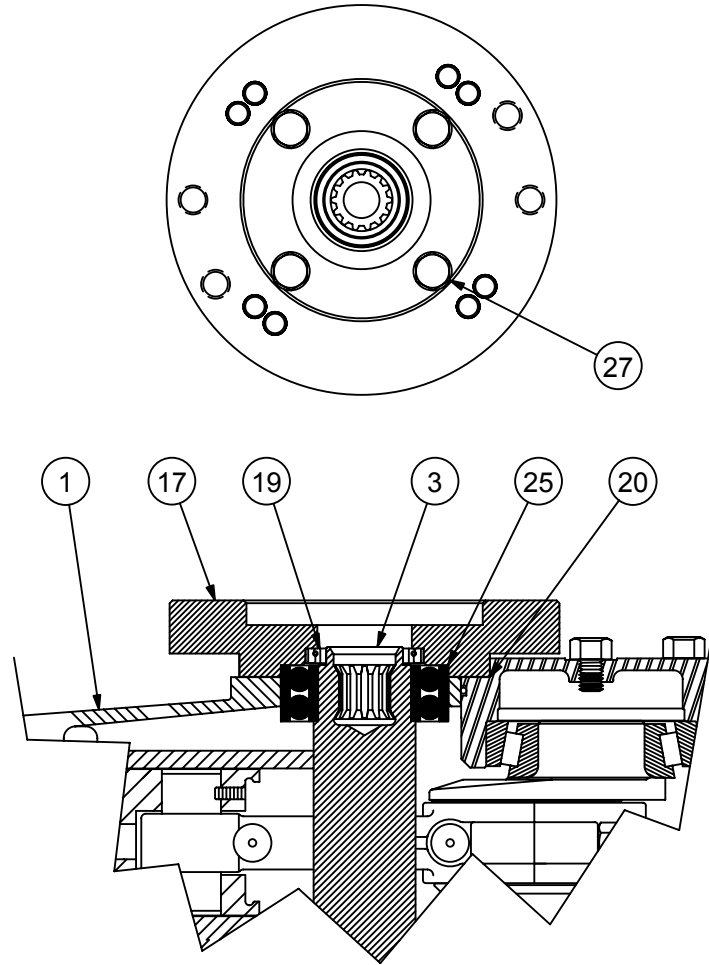


Fluid End Components

AW1122BCD Component Item Numbers

Item #	Component Description	Part #	Qty
1	Power Frame	PPFMC 5257698	1
2	Crankshaft	PPFMC 1285094	1
3	Pinion Shaft	PPFMC P511596	1
4	Connecting Rod Assembly	PPFMC 5266814	3
5	Rod Bearing	PPFMC P514965	3
6	Wrist Pin	PPFMC A91014	3
7	Crosshead Assembly	PPFMC 1252939	3
8	Seal Holder	PPFMC 3268369	3
9	Oil Seal, Piston Rod	PPFMC 1177489	9
10	Seal Retainer Nut	PPFMC 1266323	3
11	Gasket, Seal Retainer	PPFMC 3268418	3
12	Bearing Housing, Blind	PPFMC 1248369	2
13	Shim, Bearing Housing	PPFMC 1252595	6
14	Gasket, Bearing Housing	PPFMC A91675	2
15	Back Cover	PPFMC P508969	1
16	Gasket, Back Cover	PPFMC P508966	1
17	Pinion Housing, Drive	PPFMC 5257338	1
18	Pinion Housing, Blind	PPFMC P508916	1
19	Oil Seal, Rotating	PPFMC 5257339	1
20	Gasket, Pinion	PPFMC A91674	2
21	Screw Set	PPFMC 1182554	3
22	Name Plate	PPFMC 5277981	1
23	Bearing Cone, Crank	PPFMC 1177473	2
24	Bearing Cup, Crank	PPFMC 1177474	2
25	Bearing, Pinion	PPFMC P511746	2
26	Key	PPFMC 1104349	1
27	Cap screw, Pinion Bearing	PPFMC 1100054	12
28	Cap Screw, Bearing	PPFMC 1100804	2
29	O-Ring, Bearing	PPFMC 3226710	2

Item #	Component Description	Part #	Qty
30	Screw, Self Tapping	PPFMC 1187413	2
31	Plate, Inspection	PPFMC 5260567	1
32	Pipe Plug, Power End	PPFMC 1187048	2
33	Filler Cap or Vent	PPFMC A5054	1
34	Screw	PPFMC 1106980	20
35	Petcock	PPFMC 1187039	1
37	Fluid Chamber	PPFMC 1284777	1
38	Valve Seat	PPFMC 1284740	6
39	Cylinder	PPFMC 1267586	3
40	Piston Cup	PPFMC A268N	3
41	Piston Holder	PPFMC A91663	3
42	Hex Nut	PPFMC 8309	3
43	Plunger Nut	PPFMC A5016	3
44	Piston Retainer	PPFMC 1216753	3
45	O-Ring, Rod Seal	PPFMC 1101176	3
46	Gasket, Fluid Cylinder	PPFMC 1279676	6
47	Stud, Fluid Cylinder	PPFMC A91672	2
48	Hex Nut	PPFMC 1121513	8
49	Valve Cover	PPFMC 1285113	3
50	Gasket, Valve Cover	PPFMC 1279675	3
51	Clamp, Valve Cover	PPFMC A80391	3
52	Stud, Valve Cover	PPFMC A5076	6
53	Hex Nut, Valve Cover	PPFMC 1121511	6
54	Cylinder Cover	PPFMC 1285112	3
55	Gasket, Cylinder Cover	PPFMC 1279674	3
56	Suction Plug	PPFMC 1105121	3
57	Clamp, Cylinder	PPFMC A80392	3
58	Stud, Cylinder Cover	PPFMC 1279602	6
59	Ball, Valve	PPFMC 1101419	6



Spline Shaft Components

Item #	Component Description	Part #	Qty
1	Power Frame	PPFMC 3269402	1
3	Pinion Shaft Splined	PPFMC 3269385	1
17	Motor Mounting Plate	PPFMC 3269351	1
19	Oil Seal	PPFMC 3269370	1
20	Gasket	PPFMC 3269398	2
25	Bearing	PPFMC 3269369	2
27	Screw	PPFMC 3268086	4

Spline Shaft Component Item Numbers